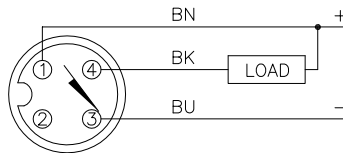
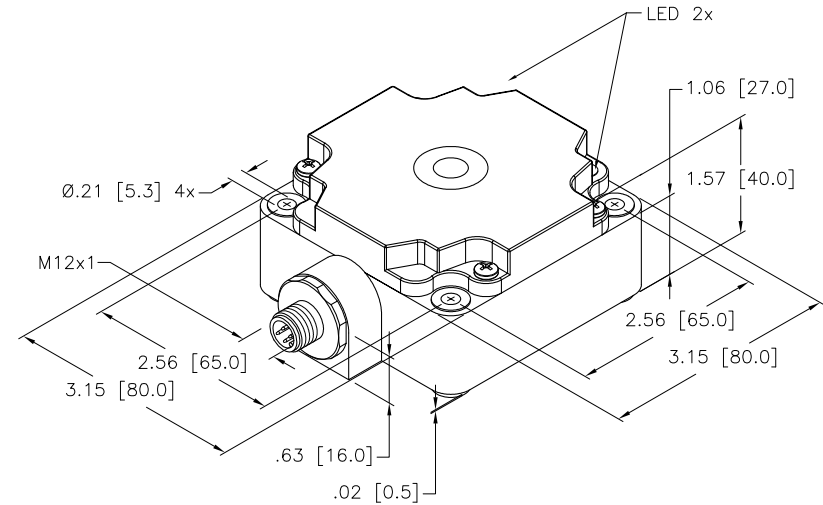


OPERATING VOLTAGE ..... 3-WIRE DC, 10-30 VDC, SINKING CURRENT  
 OUTPUT FUNCTION..... NORMALLY OPEN  
 EMBEDDABLE ..... NO  
 RATED OPERATING DISTANCE ..... 75 mm  
 APPROVAL OR CERTIFICATION ..... CSA (C US), CE  
 SHORT-CIRCUIT PROTECTION ..... YES  
 WELD-FIELD IMMUNITY ..... YES  
 SWITCHING FREQUENCY ..... 250 Hz  
 RIPPLE ..... ≤10%  
 DIFFERENTIAL TRAVEL <HYSTERESIS> ..... 3-15% (5% TYPICAL)  
 VOLTAGE DROP ACROSS CONDUCTING SENSOR ..... ≤1.8 V AT 200 mA  
 TRIGGER CURRENT FOR OVERLOAD PROTECTION ..... ≥220 mA  
 CONTINUOUS LOAD CURRENT ..... ≤200 mA  
 OFF-STATE <LEAKAGE> CURRENT ..... ≤10 μA  
 NO LOAD CURRENT ..... ≤15 mA  
 TIME DELAY BEFORE AVAILABILITY ..... ≤8 ms  
 POWER-ON EFFECT ..... PER IEC 947-5-2  
 REVERSE-POLARITY PROTECTION ..... INCORPORATED  
 WIRE-BREAK PROTECTION ..... INCORPORATED  
 TRANSIENT PROTECTION ..... PER EN 60947-5-2  
 OPERATING TEMPERATURE <10% DRIFT> ..... -25°C TO +70°C (-13°F TO + 158°F)  
 OPERATING TEMPERATURE <15% DRIFT> ..... -30°C TO +85°C (-22°F TO + 185°F)  
 SHOCK ..... 30 g, 11 ms  
 VIBRATION ..... 55 Hz, 1 mm AMPLITUDE (ALL 3 PLANES)  
 REPEATABILITY ..... ≤2% OF RATED OPERATING DISTANCE  
 NUMBER OF LEDS ..... 2  
 LED FUNCTION <YELLOW> ..... OUTPUT ENERGIZED  
 LED FUNCTION <GREEN> ..... POWER ON  
 LED FUNCTION <FLASHING GREEN> ..... SHORT-CIRCUIT INDICATION  
 ENCLOSURE ..... MEETS NEMA 1,3,4,6,13, AND IEC IP 67  
 CONNECTION ..... 4-PIN eurofast CONNECTOR  
 CONNECTOR MATERIAL ..... CHROME-PLATED BRASS  
 HOUSING MATERIAL ..... PBT-GF30-V0 PLASTIC  
 TERMINAL CHAMBER COVER MATERIAL ..... TROGAMID T



**Uprox**



SOURCE DRAWING - FOR REFERENCE ONLY

NOTE: ALL DIMENSIONAL TOLERANCES ±1.0 mm.

RELATED DOCUMENTS		3RD ANGLE PROJECTION		THIS DRAWING IS PROPERTY OF TURCK INC. USE OF THIS DOCUMENT WITHOUT WRITTEN PERMISSION IS PROHIBITED.		<b>TURCK INC</b> High Technology Sensors and Automation Controls 3000 CAMPUS DRIVE MINNEAPOLIS, MN 55441 1-800-544-7769 (763) 553-7300 (763) 553-0708 fax turck.com	
1. 2. 3. 4.				DRFT	CBM	DATE	09/13/00
MATERIAL		ALL DIMENSIONS DISPLAYED ON THIS DRAWING ARE FOR REFERENCE ONLY		DSGN	SCALE	DESCRIPTION Ni75U-CP80-AN6X2-H1141	
FINISH		CONTACT TURCK FOR MORE INFORMATION		UNIT OF MEASUREMENT <b>INCH [ MILLIMETER ]</b>		IDENTIFICATION NO.	M1623893
A		DRAWING RELEASE		DO NOT SCALE THIS DRAWING		REV	A
REV	DESCRIPTION	BY	DATE	ECO NO.	FILE: M1623893	SHEET 1 OF 1	
		CBM	11/06/00				